

# ET18

## Tracked Conventional Tail Excavators



**WACKER  
NEUSON**  
*all it takes!*



### Convincing overall performance

With the excavator ET18, Wacker Neuson is setting new standards in the 1.7 to 2.4 ton class. The combination of proven elements and intelligent development approaches provides a plus in performance and efficiency. Sophisticated features such as a large cabin and the two-part windshield mechanism also increase operator comfort.

- Up to 30% increased forces and optimum cooling set standards in operation
- Spacious, flexible and comfortable cabin concept with optimum all-round visibility
- Optimally configurable for individual requirements thanks to numerous options
- The innovative Vertical Digging System (VDS) compensates up to 27% inclination and thus provides an upright sitting position when working on slopes.

## ET18 Technical specifications

### Operating data

|                              |                        |
|------------------------------|------------------------|
| Shipping weight min.         | 1,582 kg               |
| Operating weight             | 1,725 - 2,203 kg       |
| Biting force max.            | 11.2 kN                |
| Breakout force max.          | 18.8 kN                |
| Digging depth max.           | 2,397 mm               |
| Digging radius max.          | 3,989 mm               |
| Superstructure slewing speed | 10 1/min               |
| L x W x H                    | 3,854 x 990 x 2,289 mm |

### Engine / Motor

|                                |                                       |
|--------------------------------|---------------------------------------|
| Engine / Motor manufacturer    | Yanmar                                |
| Engine / Motor type            | 3TNV76                                |
| Engine / Motor                 | Water-cooled 3-cylinder diesel engine |
| Emission standards stage       | 5                                     |
| Displacement                   | 1,116 cm <sup>3</sup>                 |
| RPM / speed                    | 2,200 rpm                             |
| Engine performance acc. to ISO | 13.2 kW                               |
| Battery Voltage                | 44 Ah                                 |
| Tank capacity                  | 24 l                                  |

### Hydraulic system

|  |                      |
|--|----------------------|
| Duty pump  | Double variable pump |
| Max. flow rate   | 23.8 + 23.8 l/min    |
| Duty pump  | Gear pump            |
| Max. flow rate   | 19.1 + 6.5 l/min     |
| Operating pressure for working and traction hydraulics | 200 bar              |
| Operating pressure Slewing gear                        | 125 bar              |
| RPM / speed Superstructure                             | 10 rpm               |
| Hydraulic oil tank Contents                            | 19 l                 |

### Undercarriage

|   |          |
|---|----------|
| Travel speed max.                       | 5.3 km/h |
| Chain width                             | 230 mm   |
| Ground clearance Standard undercarriage | 210 mm   |

### Dozer Blade

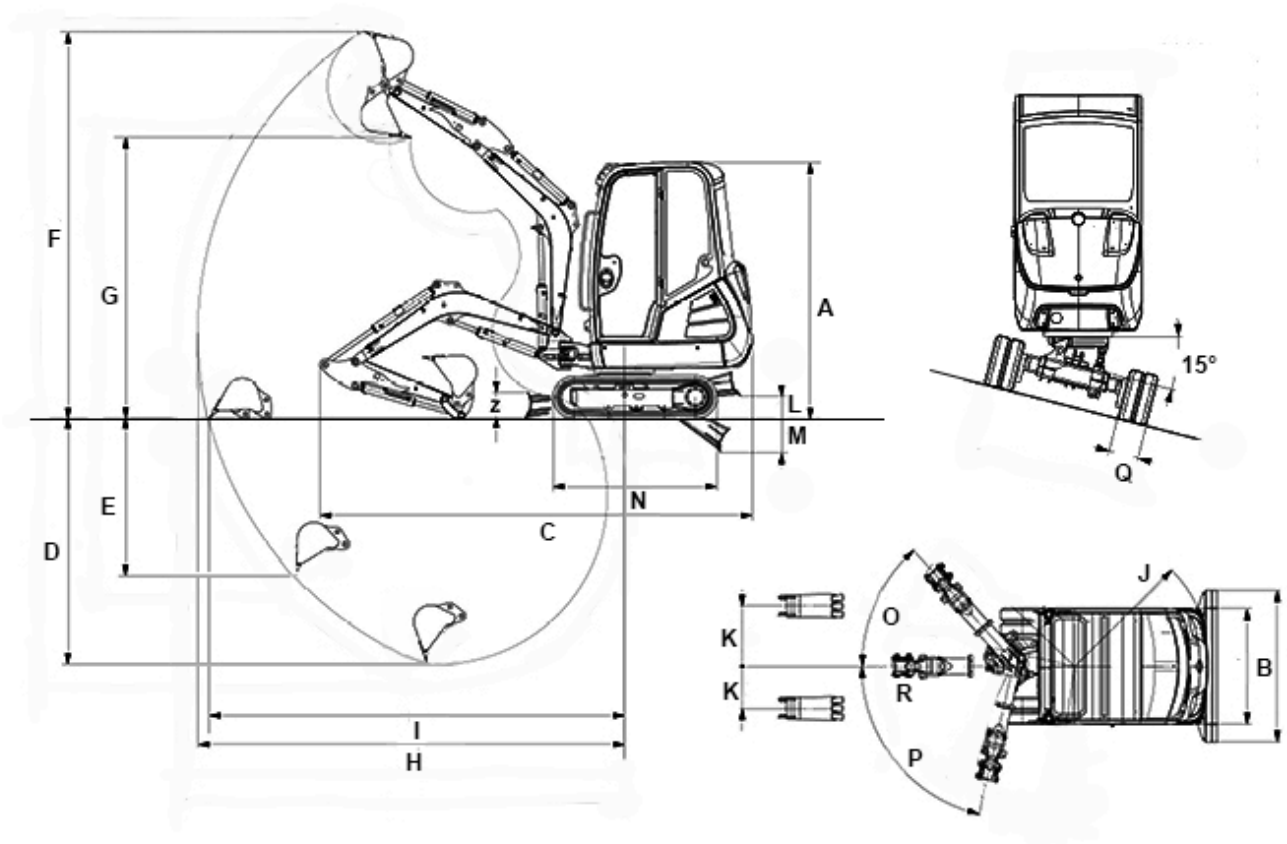
|  |        |
|--|--------|
| Width                                    | 990 mm |
| Height                                   | 230 mm |
| Stroke Standard dozer blade above ground | 200 mm |
| Stroke Standard dozer blade below ground | 320 mm |

### Sound level

|                                      |          |
|--------------------------------------|----------|
| Sound level (LwA) acc. to 2000/14/EC | 93 dB(A) |
|--------------------------------------|----------|



# ET18 Dimensions



VDS

|   |  |          |          |
|---|--|----------|----------|
| A | Height   | 2,285 mm | 2,392 mm |
| B | Width Superstructure   | 990 mm   | 990 mm   |
| B | Width undercarriage retracted  | 990 mm   | 990 mm   |
| B | Width undercarriage extended (telescopic undercarriage only)           | 1,300 mm | 1,300 mm |
| B | Width Dozer blade  | 990 mm   | 990 mm   |
| B | Width Dozer blade width with extension (telescopic undercarriage only) | 1,300 mm | 1,300 mm |
| C | Transport length   | 3,854 mm | 3,801 mm |
| D | Digging depth max. Max. (short dipper stick)                           | 2,202 mm | 2,095 mm |
| D | Digging depth max. Max. (long dipper stick)                            | 2,402 mm | 2,295 mm |
| E | Insertion depth Max., vertikal (short dipper stick)                    | 1,415 mm | 1,309 mm |
| E | Insertion depth Max., vertikal (long dipper stick)                     | 1,600 mm | 1,493 mm |
| F | Insertion height Max. (short dipper stick)                             | 3,447 mm | 3,553 mm |
| F | Insertion height Max. (long dipper stick)                              | 3,558 mm | 3,663 mm |
| G | Dump height max. Max. (short dipper stick)                             | 2,510 mm | 2,611 mm |
| G | Dump height max. Max. (long dipper stick)                              | 2,621 mm | 2,722 mm |
| H | Digging radius max. Max. (short dipper stick)                          | 3,802 mm | 3,802 mm |
| H | Digging radius max. Max. (long dipper stick)                           | 3,989 mm | 3,989 mm |

|    |   |          |          |
|----|---|----------|----------|
| I  | Range Max. ,on the ground (short dipper stick)                  | 3,700 mm | 3,668 mm |
| I  | Range Max. ,on the ground (long dipper stick)                   | 3,894 mm | 3,864 mm |
| J  | Rear swivel radius Min.   | 1,169 mm | 1,169 mm |
| K  | Arm displacement Max. , to centre of bucket, right side         | 516 mm   | 516 mm   |
| K  | Arm displacement Max. , to centre of bucket, left side          | 359 mm   | 359 mm   |
| L  | Lift height Max., of dozer blade above ground (short)           | 198 mm   | 268 mm   |
| L  | Lift height Max., of dozer blade above ground (long)            | 281 mm   | 357 mm   |
| M  | Scraping depth Max., of dozer blade below ground (short)        | 316 mm   | 251 mm   |
| M  | Scraping depth Max., of dozer blade below ground (long)         | 381 mm   | 308 mm   |
| N  | Length Total crawler length (standard undercarriage)            | 1,462 mm | 1,465 mm |
| N  | Length Total crawler length (telescopic undercarriage)          | 1,607 mm | 1,607 mm |
| -- | Length Crawler length Sprocket wheel (standard undercarriage)   | 1,080 mm | 1,079 mm |
| -- | Length Crawler length Sprocket wheel (telescopic undercarriage) | 1,225 mm | 1,224 mm |
| O  | Turning angle Max. of boom system to the right                  | 48 °     | 48 °     |
| P  | Turning angle Max. of boom system to the left                   | 77 °     | 77 °     |
| Q  | Chain width   | 230 mm   | 230 mm   |
| R  | Boom slewing radius centre                                      | 1,584 mm | 1,584 mm |
| -- | Boom slewing radius right                                       | 1,503 mm | 1,503 mm |
| -- | Boom slewing radius left max.                                   | 1,283 mm | 1,283 mm |
| -- | Boom slewing radius left lock                                   | 1,374 mm | 1,374 mm |
| Z  | Height Dozer blade  | 230 mm   | 230 mm   |

Please note: that product availability can vary from country to country. It is possible that information / products may not be available in your country. More detailed information on engine power can be found in the operator's manual; the stated power may vary due to specific operating conditions. Subject to alterations and errors excepted. Applicable also to illustrations.  
Copyright © 2020 Wacker Neuson SE.