

ET24

Tracked Conventional Tail Excavators



**WACKER
NEUSON**
all it takes!



The allrounder of its class

The ET24 is one of the most universal compact excavators in its class. It combines compact dimensions and low weight with high lifting and digging forces. This combination of performance and dimensions along with many options and features make it a flexible companion for any construction site.

- Increased forces of up to 30% and an optimized cooling concept are setting standards in operation
- Spacious, flexible and comfortable cabin with all-round visibility
- Optimally configurable for individual requirements by numerous options
- The innovative Vertical Digging System (VDS) compensates up to 27% inclination and thus provides an upright sitting position when working on slopes.

ET24 Technical specifications

Operating data

Shipping weight min.	2,057 kg
Operating weight	2,200 - 2,544 kg
Biting force max.	15 kN
Breakout force max.	21.8 kN
Digging depth max.	2,602 mm
Dumping height	2,748 - 2,870 mm
Digging radius max.	4,334 mm
Superstructure slewing speed	10 1/min
L x W x H	4,022 x 1,400 x 2,390 mm

Engine / Motor

Engine / Motor manufacturer	Yanmar
Engine / Motor type	3TNV76
Engine / Motor	Water-cooled 3-cylinder diesel engine
Emission standards stage	5
Displacement	1,116 cm ³
RPM / speed	2,200 rpm
Engine performance acc. to ISO	13.2 kW
Battery Voltage	44 Ah
Tank capacity	24 l

Hydraulic system

Duty pump	Double variable pump with 2 gear pumps
Max. flow rate	26.1 + 26.1 l/min
Max. flow rate	19.4 + 6.4 l/min
Operating pressure for working and traction hydraulics	240 bar
Operating pressure Slewing gear	150 bar
RPM / speed Superstructure	10 rpm
Hydraulic oil tank Contents	19 l

Undercarriage

Travel speed max.	4 km/h
Chain width	250 mm
Ground clearance	295 mm

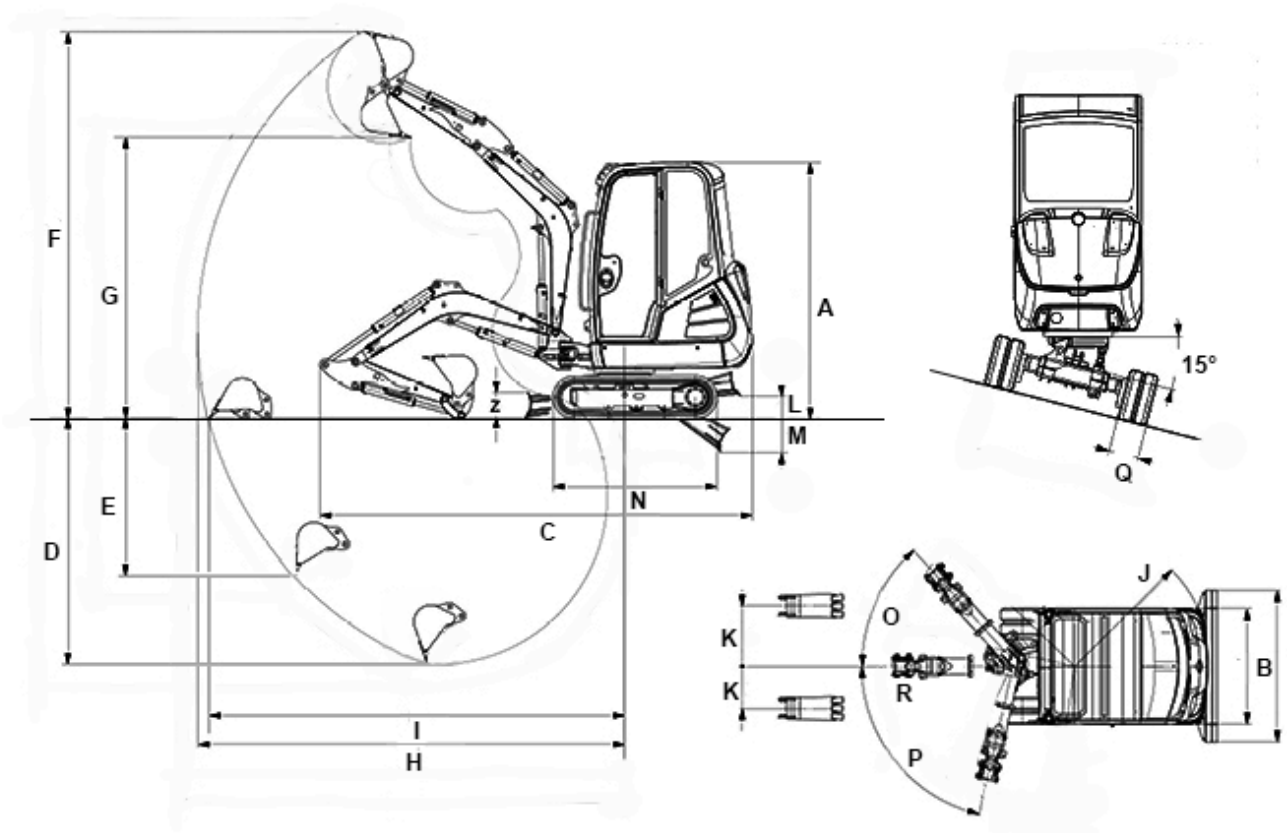
Dozer Blade

Width	1,400 mm
Height	300 mm
Stroke Standard dozer blade above ground	300 mm
Stroke Standard dozer blade below ground	340 mm

Sound level

Sound level (LwA) acc. to 2000/14/EC	93 dB(A)
--------------------------------------	----------

ET24 Dimensions



			VDS
A	Height	2,392 mm	2,472 mm
B	Width Superstructure	990 mm	990 mm
B	Width	1,400 mm	1,400 mm
B	Width Dozer blade	1,400 mm	1,400 mm
C	Transport length	4,022 mm	3,980 mm
D	Digging depth max. Max. (short dipper stick)	2,402 mm	2,323 mm
D	Digging depth max. Max. (long dipper stick)	2,602 mm	2,523 mm
E	Insertion depth Max. , vertikal (short dipper stick)	1,562 mm	1,482 mm
E	Insertion depth Max., vertikal (long dipper stick)	1,746 mm	1,667 mm
F	Insertion height Max. (short dipper stick)	3,949 mm	4,028 mm
F	Insertion height Max. (long dipper stick)	4,071 mm	4,151 mm
G	Dump height max. Max. (short dipper stick)	2,748 mm	2,827 mm
G	Dump height max. Max. (long dipper stick)	2,870 mm	2,950 mm
H	Digging radius max. Max. (short dipper stick)	4,146 mm	4,146 mm
H	Digging radius max. Max. (long dipper stick)	4,334 mm	4,334 mm
I	Range Max. ,on the ground (short dipper stick)	4,020 mm	3,995 mm
I	Range Max.,on the ground (long dipper stick)	4,216 mm	4,204 mm
J	Rear swivel radius Min.	1,169 mm	1,169 mm

K	Arm displacement Max. , to centre of bucket, right side	516 mm	516 mm
K	Arm displacement Max. , to centre of bucket, left side	359 mm	359 mm
L	Lift height Max., of dozer blade above ground (short)	294 mm	348 mm
M	Scraping depth Max., of dozer blade below ground (short)	334 mm	316 mm
N	Length Total crawler length (standard undercarriage)	1,838 mm	1,838 mm
--	Length Crawler length Sprocket wheel (standard undercarriage)	1,383 mm	1,383 mm
O	Turning angle Max. of boom system to the right	48 °	48 °
P	Turning angle Max. of boom system to the left	77 °	77 °
Q	Chain width	250 mm	250 mm
R	Boom slewing radius centre	1,666 mm	1,666 mm
--	Boom slewing radius right	1,582 mm	1,582 mm
--	Boom slewing radius left max.	1,356 mm	1,356 mm
--	Boom slewing radius left lock	1,450 mm	1,450 mm
Z	Height Dozer blade	300 mm	300 mm

Please note: that product availability can vary from country to country. It is possible that information / products may not be available in your country. More detailed information on engine power can be found in the operator's manual; the stated power may vary due to specific operating conditions. Subject to alterations and errors excepted. Applicable also to illustrations.
 Copyright © 2020 Wacker Neuson SE.