

TH412

Telehandler



**WACKER
NEUSON**
all it takes!



Tough challenges are its specialty.

It's impressive how much power there is packed in the TH412 compact telehandler. The TH412 Wacker Neuson telehandler is unique in its combination of high lifting height, lean width and strong machine performance. A true multi-talent for works in municipalities, factories, building yards and at construction sites.

- Equipped with the innovative VLS driver assist system (Vertical Lift System).
- Extremely small inside radius of 821 mm.
- Enormous lifting height of 4.5 m in combination with a payload of 1.2 t.
- Efficient 31 PS Yanmar engine—optional 40 PS available.
- Hydraulic quick change system for a great assortment of attachments.

TH412 Technical specifications

Operating data

| | |
|--|----------|
| Lift height | 4,259 mm |
| Weight | 2,700 kg |
| Turning radius Tires | 2,607 mm |
| Total rotation angle of the tool carrier | 148 ° |

Engine / Motor

| | |
|---------------------------------|---------|
| Engine / Motor manufacturer | Yanmar |
| Engine performance at 3,000 rpm | 22.6 kW |
| Engine performance at 2,800 rpm | 29.6 kW |
| Emission standards stage | IIIA |

Power transmission

| | |
|-----------------------|--|
| Traction drive | Hydrostatic |
| Speed Stage 1: | 0-7 km/h |
| Speed Stage 2: | 0-20 km/h |
| Service brake central | Parking brake on all four wheels effective |
| Standard tires | 10.0/75 - 15.3 AS ET-40 |

Steering and operating hydraulics

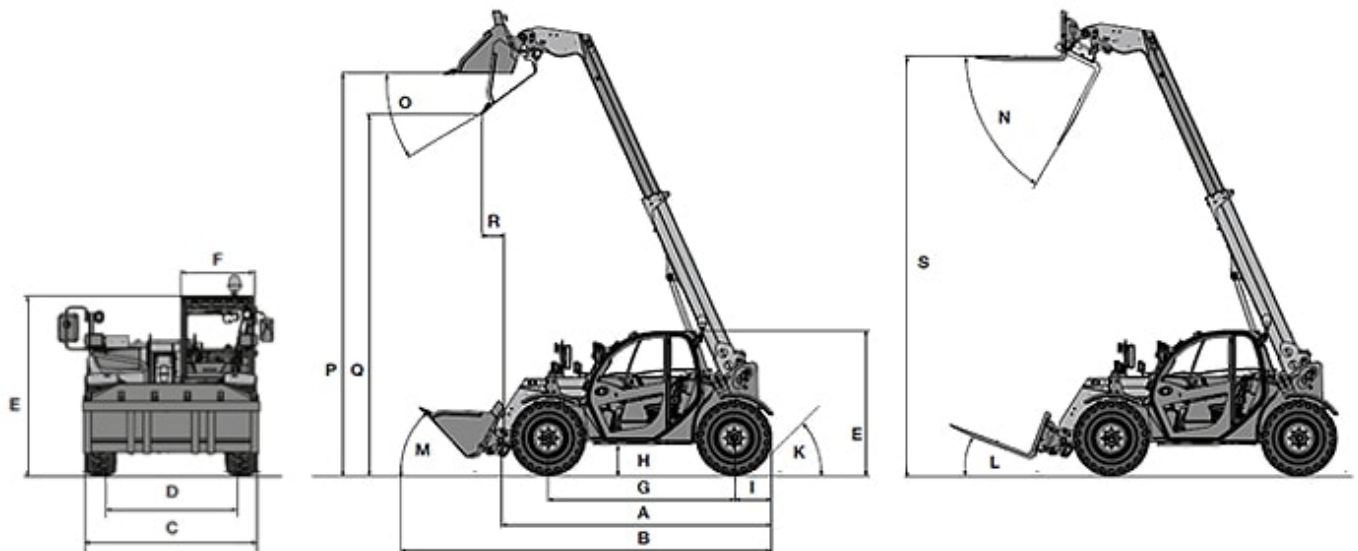
| | |
|--------------------------|----------|
| Steering angle max. | 2 x 38 ° |
| Flow rate (with 22.6 kW) | 42 l/min |
| Flow rate (with 29.6 kW) | 40 l/min |

Kinematics

| | |
|-----------------------------|----------|
| Payload max. | 1,200 kg |
| Lift height Pin height | 4,503 mm |
| Payload at max. lift height | 1,200 kg |
| Payload at max. span | 440 kg |

Standard bucket = digging bucket, 1,500 mm width

TH412 Dimensions



| | | |
|---|-------------------------------------|----------|
| L | Overhead loading height | 4,306 mm |
| A | Length incl. tool frame | 2,916 mm |
| B | Length with standard bucket | 3,879 mm |
| C | Width max. | 1,560 mm |
| F | Width cabin (inner) | 662 mm |
| L | Tilt-in angle Pallet fork below | 8 ° |
| M | Tilt-in angle Standard bucket below | 44 ° |
| N | Dump angle Pallet fork above | 70 ° |
| O | Dump angle Standard bucket above | 31 ° |

Please note: that product availability can vary from country to country. It is possible that information / products may not be available in your country. More detailed information on engine power can be found in the operator's manual; the stated power may vary due to specific operating conditions. Subject to alterations and errors excepted. Applicable also to illustrations.
Copyright © 2020 Wacker Neuson SE.