

# TH627

## Telehandler



**WACKER  
NEUSON**  
*all it takes!*



### Agile and effective

The TH627 is the optimum solution for lifting heights around 6 meters. It combines agile maneuverability with powerful performance and remains in a stable position even with extreme loadings.

- Exhaust emissions stage IIIB by state-of-the-art engine technology
- Diesel particulate filter optionally available
- Equipped as standard with three types of steering: all-wheel steering, front axle steering and crab steering
- Comfortable operation thanks to a load-independent flow distribution of hydraulics and an electronically controlled joystick
- Convenient bucket auto-return function for even faster operation (available as an option)

## TH627 Technical specifications

### Operating data

Lift height max.	5,730 mm
Weight	5,000 kg
Turning radius	3,670 mm

### Engine / Motor

Engine / Motor manufacturer	Kohler
Engine performance	55.4 kW
Displacement	2,482 cm <sup>3</sup>
Emission standards stage	IIIB
Sound emission (at operator's ear)	80 dB(A)

### Power transmission

Traction drive	hydrostatic
Speed (standard)	0 - 20 km/h
Speed (optional)	0 - 30 km/h
Axles	planetary drive steering axle
Total pivoting angle	20 °

### Steering and operating hydraulics

Steering angle	2x38 °
Duty pump	gear pump with flow sharing
Flow rate	90 l/min
Pressure	240 bar

### Kinematics

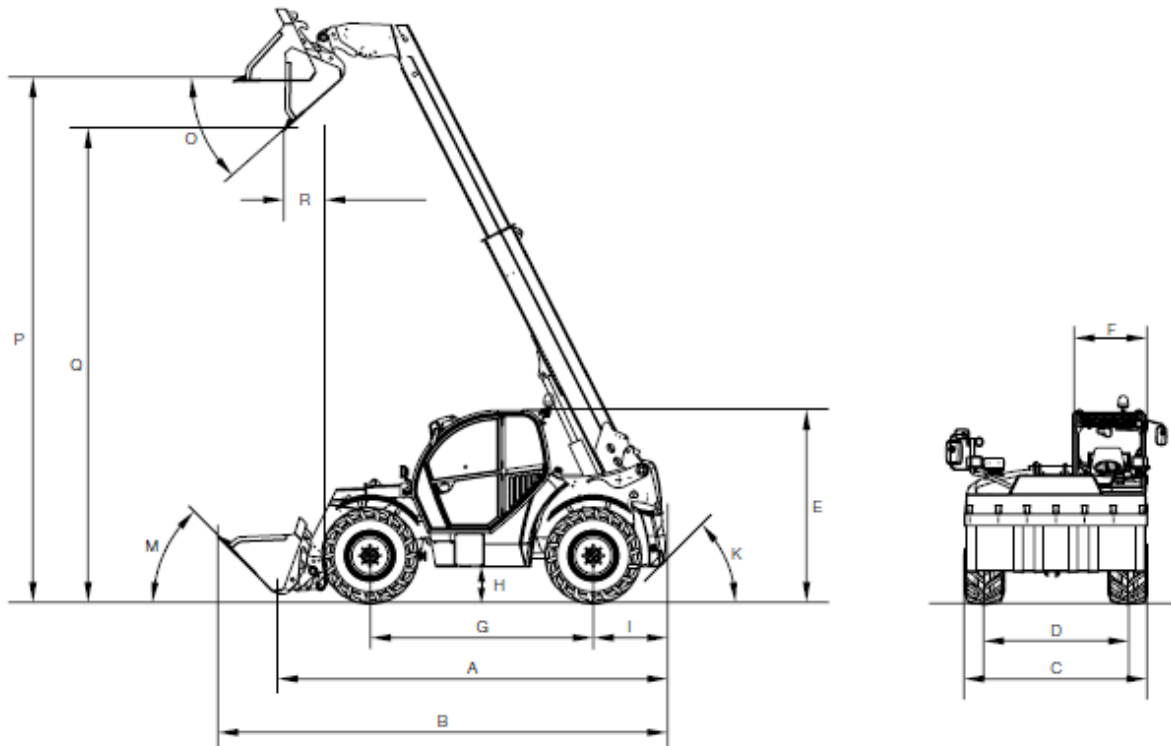
Bucket capacity	0.85 m <sup>3</sup>
Total rotation angle	132 °
Payload at max. lift height	2,700 kg
Payload at max. reach	1,000 kg
Payload max.	2,700 kg
Range max.	3,156 mm

### Filling capacities

Fuel tank capacity	100 l
Hydraulic oil tank	75 l

The data shown are those of the standard equipment. With the selection of further options values can vary. All rights reserved.

## TH627 Dimensions



A	Length overall	4,400 mm
B	Length with standard bucket	4,958 mm
C	Width with standard tires	1,960 mm
D	Track width	1,660 mm
E	Height cabin	1,980 mm
F	Width cabin	825 mm
G	Wheelbase	2,650 mm
H	Ground clearance	302 mm
I	Center of rear axle to end of vehicle	620 mm
M	Tilt-in angle (bucket)	45 °
O	Dump angle (bucket)	40 °
P	Overhead loading height with standard bucket	5,600 mm
Q	Dump height max.	5,280 mm
R	Dump reach with standard bucket	680 mm

Please note: that product availability can vary from country to country. It is possible that information / products may not be available in your country. More detailed information on engine power can be found in the operator's manual; the stated power may vary due to specific operating conditions. Subject to alterations and errors excepted. Applicable also to illustrations.  
Copyright © 2020 Wacker Neuson SE.