

WL44

Articulated Wheel Loaders



**WACKER
NEUSON**
all it takes!



Everything that requires productive work

You don't have to do without anything, even with our entry-level models - especially not when it comes to performance. The sturdy and sophisticated technology of our wheel loaders has been time-tested and proven in many applications. This makes them into particularly reliable performance machines on any construction site - a cost-benefit calculation that works.

- Sturdy and cost-efficient: ideal entry-level model without sacrificing power and performance
- Large selection of operator's cabs: different operator's canopies and (comfort) cabin
- Many individual options can be selected when outfitting
- Powerful hydraulics with many options, such as high flow
- Powerful Z-kinematics and low front carriage for extra tipping load and an overview of the working area

WL44 Technical specifications

WL44

	Engine standard	Optional engine
Engine / Motor		
Engine / Motor manufacturer	Perkins	Deutz
Engine / Motor type	404 D-22	TCD 2.9 L4 S5
Cylinder	4	4
Engine performance kW	35.7	55.4
at rpm Maximum rpm	2,600	2,300
Displacement cm ³	2,216	2,900
Coolant type	Water	Water / charge air
DEF Type	-	DPF+DOC
Emission standards stage	IIIA	V
Electrical system		
Operating voltage V	12	
Battery Ah	95	
Alternator A	85	
Weights		
Operating weight kg	4,600	
Tipping load with bucket - machine straight kg	3,327	
Tipping load with bucket - machine at angle kg	2,845	
Tipping load with pallet fork - machine straight kg	2,562	
Tipping load with pallet fork - machine at angle kg	2,204	
Vehicle data		
Bucket capacity Standard bucket m ³	0.8	
Traction drive	Hydrostatic via universal joint shaft	
Axles	PA1400	
Drivers cab	FSD (cabin)	
Speed (optional) km/h	0-20 (30)	
Standard tires	12.5-18 MPT ET-50	
Hydraulic system		
Driving hydraulics - operating pressure bar	450	
Operating hydraulics - operating pressure bar	220	
Operating hydraulics - discharge capacity l/min	58.5	
Operating hydraulics - discharge capacity (optional up to) l/min	103	
Filling capacities		
Fuel tank capacity l	82	
Hydraulic oil tank l	66	
Sound level		

	Engine standard	Optional engine
Guaranteed sound power level LwA dB(A)	101	
Specified sound pressure level LpA dB(A)	78	

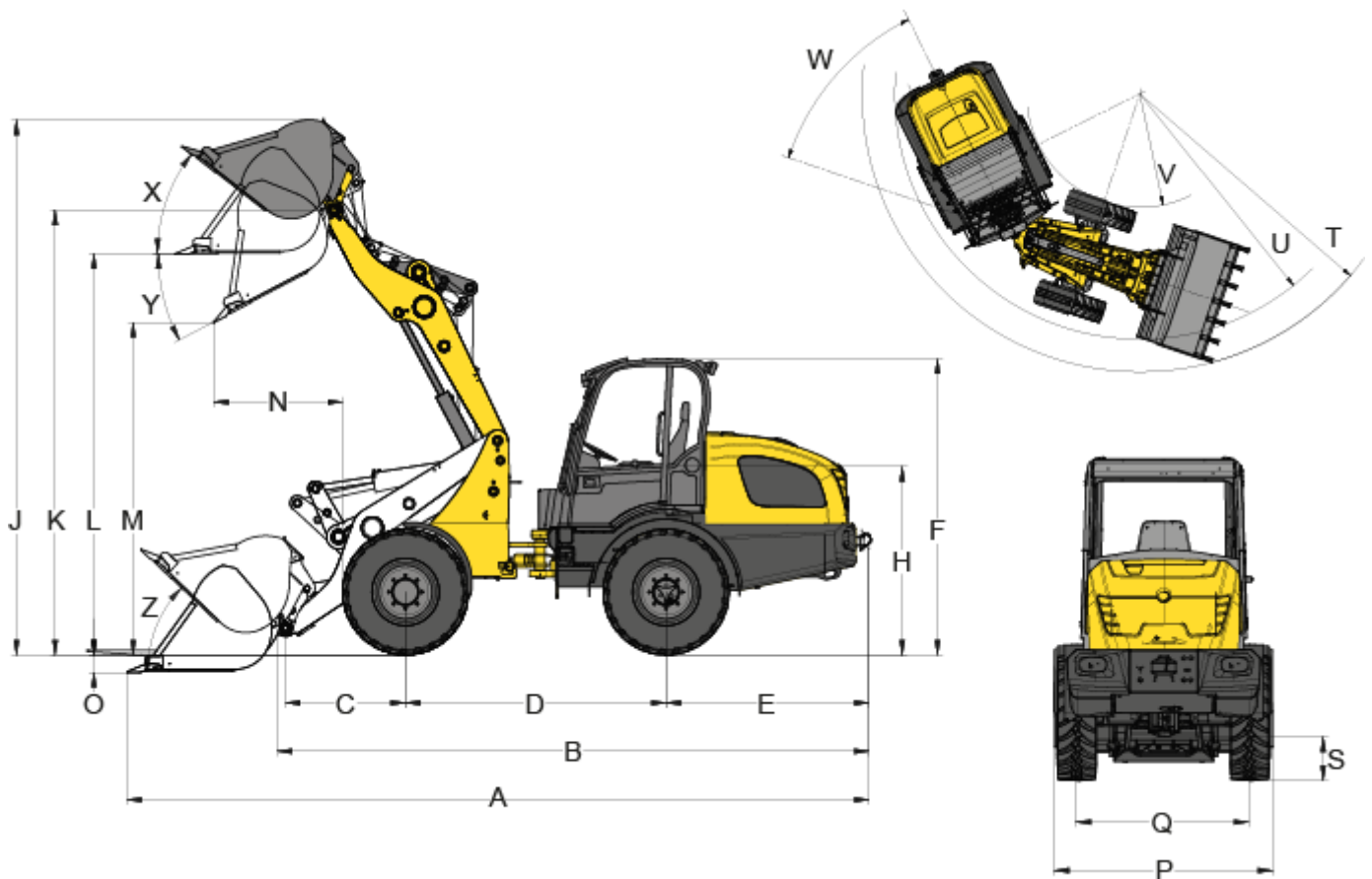
FSD = operator's canopy

DOC = Diesel oxidation catalyst

DPF = diesel particulate filter

Tipping load calculation according to ISO 14397-EN474-3

WL44 Dimensions



	Standard tires	12.5-18 MPT ET-50
A	Overall length	5,420 mm
B	Overall length without bucket	4,760 mm
C	Bucket pivot point to axle center	1,040 mm
D	Wheelbase	2,110 mm
E	Rear overhang	1,530 mm
F	Height with low operator's canopy	2,332 mm
F	Height with high operator's canopy	2,470 mm
F	Height With cabin	2,528 mm
H	Seat height	1,470 mm
J	Total operating height	3,890 mm
K	Stroke height max. - bucket pivot point	3,200 mm
L	Overhead loading height	2,940 mm
M	Dump height max.	2,430 mm
N	Range with M	665 mm
O	Scraping depth	136 mm
P	Overall width	1,830 mm
Q	Track width	1,500 mm
S	Ground clearance	367 mm
T	Radius maximum	4,270 mm
U	Radius at outer edge	3,870 mm

V	Inside turning radius	1,990 mm
W	Articulation angle	40 °
X	Bucket rollback at max. stroke height	71 °
Y	Dump angle Maximum	45 °
Z	Bucket rollback at ground level	43 °

All values with standard bucket: Digging bucket 1,900 mm, 0.80 m³ and standard tires: 12.5-18 MPT ET-50

Please note: that product availability can vary from country to country. It is possible that information / products may not be available in your country. More detailed information on engine power can be found in the operator's manual; the stated power may vary due to specific operating conditions. Subject to alterations and errors excepted. Applicable also to illustrations.
Copyright © 2020 Wacker Neuson SE.